



Agilent M9362A-D01 PXIe Microwave Quad Downconverter

DISCOVER the Alternatives...

Industries and Applications

- Aerospace and defense
- Wireless communications
- Radar and wideband signal capture

Product Description

The Agilent M9362A-D01 is a PXIe 3-slot, 4-channel, coherent microwave downconverter with frequency coverage from 10 MHz to 26.5 GHz, along with 1.5 GHz of instantaneous bandwidth per channel. The M9362A-D01 is well suited for wideband signal capture where multiple channels are required for applications such as multi-channel coherent signal analysis, radar, SIGNIT, ELINT, MASINT, EW signal capture and analysis, and RF and microwave recording and analysis.

When combined with an Agilent M9302A Local Oscillator and one or more Agilent M9210A 4GS/s Digitizers, the M9362A-D01 Downconverter can be used to synchronously capture up to 4 signals in up to 1.4 GHz bandwidth, with 10-bit resolution.

Models

M9362A-D01 PXIe Microwave Quad Downconverter

Main Features and Benefits

Product features	Your benefit
Frequency range	10 MHz to 26.5 GHz
Four-channel synchronous downconversion	Multi-channel coherent signal analysis
PXIe form-factor	Conforms to Modular Open Systems Approach (MOSA)
Software support for easy integration	Reduced development time



... Agilent **Modular** Products

Specifications

Hardware	
Size	3-slot
Operating Range	10 MHz to 26.5 GHz
Bandwidth	1.5 GHz per channel
Noise Figure	24 dB, <i>(nominal)</i>
Impedance	50 Ω , <i>(nominal)</i>

Chassis slot compatibility: PXIe, PXIe hybrid



Agilent Technologies

Software

Operating systems	Microsoft Windows® XP Microsoft Windows® 7 (32/64-bit)
Supported application development environments (ADE)	Visual Studio® (VB.NET, C#, C/C++), VEE, LabVIEW, LabWindows/CVI, MATLAB
Agilent IO Libraries	Includes: VISA Libraries, Agilent Connection Expert, IO Monitor

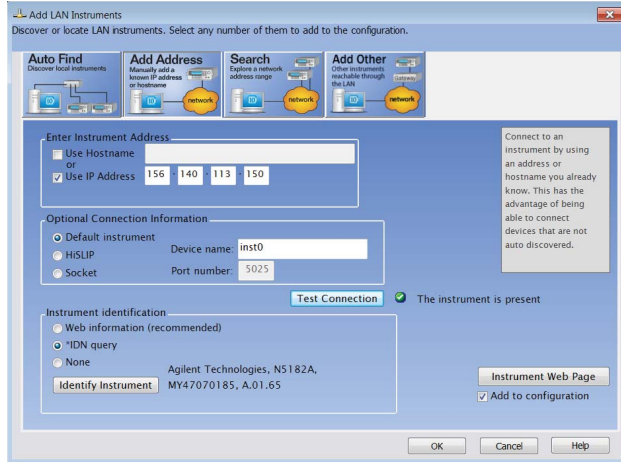


Figure 1. IO Libraries Suite 16.1

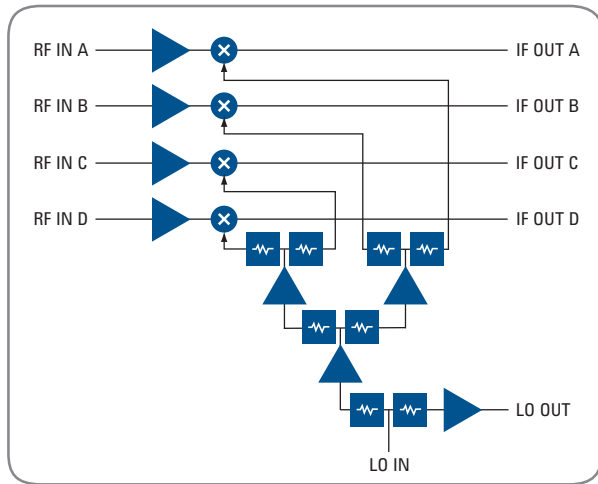


Figure 2. M9362A-D01 PXIe Quad Downconverter block diagram

Ordering Information

Typical Product Information

Model	Description
M9362A-D01	PXIe Quad Downconverter: 10 MHz to 26.5 GHz
M9362AD01-CA1	IF Jumper Cables for use with 4-M9202A Single CH Digitizers
M9362AD01-CA2	IF Jumper Cables for use with 2-M9202A Dual CH Digitizers
M9362AD01-CA3	IF Jumper Cables for use with the M9210A
M9362AD01-CA4	LO Interconnect Kit for use with the M9302A

Related Products

M9302A	PXI Local Oscillator: 3 GHz to 10 GHz
M9210A	PXI-H High-speed Digitizing Scope: 10-bit, 2-4 GS/s
M9018A	18-slot PXIe chassis
M9036A	PXIe Embedded Controller

Accessories

Software and product information on CD (included)

Discover Agilent ...

www.agilent.com

www.agilent.com/find/modular

www.agilent.com/find/m9362a-d01

USA: (800) 829-4444



PXI is a registered U.S. trademark of the PXI Systems Alliance. MATLAB is a U.S. registered trademark of The Math Works, Inc. Microsoft is either a registered trademark or a trademark of Microsoft Corporation in the United States and/or other countries.

For more information on Agilent Technologies' products, applications, or services, please contact your local Agilent office. The complete list is available at: www.agilent.com/find/contactus

Product specifications and descriptions in this document subject to change without notice.

© Agilent Technologies, Inc. 2012 Printed in USA, February 10, 2012
5990-6575EN



Agilent Technologies